

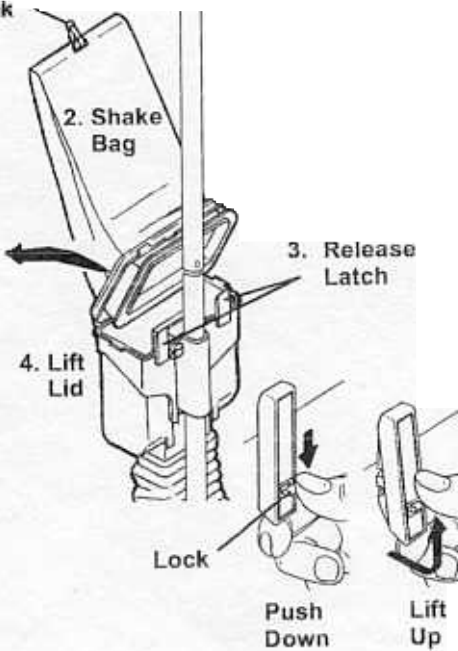
EZ Kleen® Dust Cup and Bag

The cloth bag and the dust cup play a very important role in the efficiency of the vacuum cleaner. The cloth bag allows air to move through the cleaner while it traps dirt inside the cloth bag and the dust cup. When dirt particles cling to the cloth bag they can restrict airflow. If air cannot pass through the cloth bag, no cleaning can take place regardless of how powerful the unit. Some fine particles can restrict airflow very quickly and will decrease performance even before the dust cup appears to be full. For that reason, when vacuuming powder, flour dust, or similar fine substances, it may be necessary to turn off the cleaner and empty the dust cup more often.

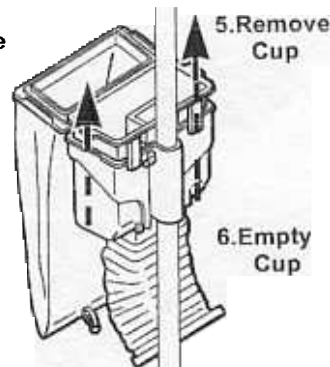
NOTE: Turn off the switch and unplug the electrical cord before emptying the dust cup. Never operate the vacuum cleaner without the dust cup latched in place.

1. Unhook the clip from the top of the cloth bag.
2. Shake the cloth bag to release dust clinging inside.
3. Release each latch, one on either side of the handle (push down on the lock, lift up on the bottom and pull the top forward.)
NOTE: Keep the latch free of dust or obstructions that would prevent it from locking securely.
4. Lift the lid; swing it up and outward.
5. Reach in, grasp the dust cup and pull it out of the support.
6. Empty contents in a suitable container. *(If desired, the cup can be washed in warm water using a mild soap solution. Be sure the cup is completely dry before replacing.)*
7. Place the cup into the support, swing the lid shut, and fasten each latch.
8. Hook clip to top of bag (refer to item 1).

1. Unhook



7. Replace Cup and Swing Lid Shut



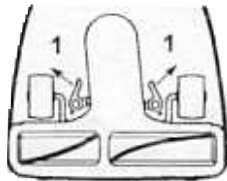
Brush Roll Belt

The brush roll belt on the upright vacuum cleaner drives the brush to agitate, sweep, and comb the carpet nap. The belt should be checked regularly to be sure it is in good condition. Replace the belt if it is stretching, cracking, or slipping. Cut away any hair or thread wound around the brush roll or the belt pulley because the buildup could cause the belt to rotate unevenly.

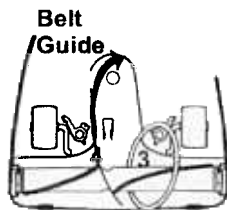
How To Replace A Worn Belt

NOTE: Turn off the switch and unplug the electrical cord before replacing belt. Belt pulleys can become hot during normal use. To prevent burns, avoid touching the belt pulley when servicing the drive belt.

IMPORTANT: Improper installation of the brush roll or brush roll belt could cause carpet or cleaner damage.



1. Release cam locks.



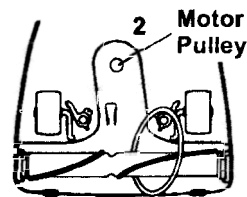
Check for brush wear (see Brush Roll instructions).

3. Place new belt around brush roll.
4. Align brush roll pulley with belt guide.

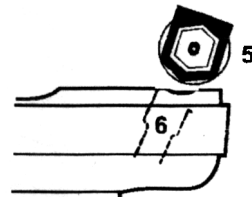


7. Place lower side of belt into belt guide and pull to stretch the belt around the left side of motor pulley. Rotate pulley to secure belt into groove.

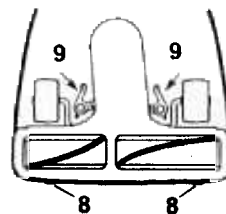
Ask for GENUINE EUREKA replacement belts, No. 52100



2. Pull up on belt to rotate it off the motor pulley. Lift up on brush roll and remove worn belt.



5. Place rubber end cap covers over both end caps (flat side against end cap). Align the holes and secure. Then, slant brush roll forward so end caps are in line with slots in cleaner base.
6. Push brush roll into place.



8. Place slots of bottom plate over tabs of cleaner base.
9. Seat and secure cam locks.

Look for the



symbol.